

MINI 360 BEACON 221ZL SERIES

STAR
Safety Technologies by *Grote*



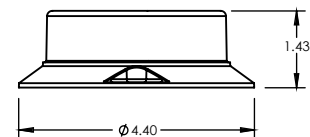
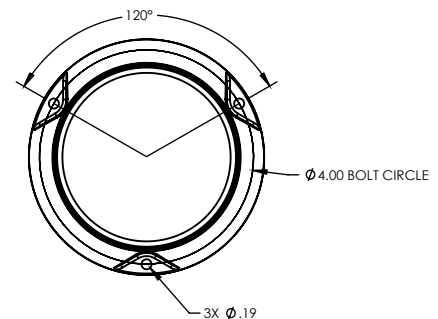
221ZL-A



221ZLM-C

FEATURES & BENEFITS

- Star Generation IV LEDs
- Reliable environmental protection
- Twelve customer selectable flash patterns in either of two phases, plus Steady-On
- S-Link Systems™ synchronizing capabilities with other Star LED units
- Polarity protected
- Polycarbonate lens and base (Ultrasonic welded)
- Three-hole, permanent mount and magnet mount with pattern select cig. plug
- Voltage: 9-32V DC
- Amp draw: 0.4 amps @ 12V DC, 0.2 amps @ 24V DC
- Colors:
- Approvals: SAE Class I, CA Title13, and IP67 (Amber, Clear, Amber LED Clear Lens)



PART	DESCRIPTION
221ZL	LED Mini 360 Beacon
221ZLM	LED Mini 360 Beacon

Warning: Cancer and Reproductive Harm - www.P65Warnings.ca.gov

SF227 REV A 9-28-23



**FOR MORE INFORMATION
VISIT OUR WEBSITE.
STARSAFETYTECHNOLOGIES.COM**

Star Safety Technologies, LLC
455 Rochester St., Avon, NY 14414
Phone: 585-226-9500 | Fax: 888-478-2797

STAR
Safety Technologies by *Grote*